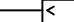
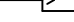
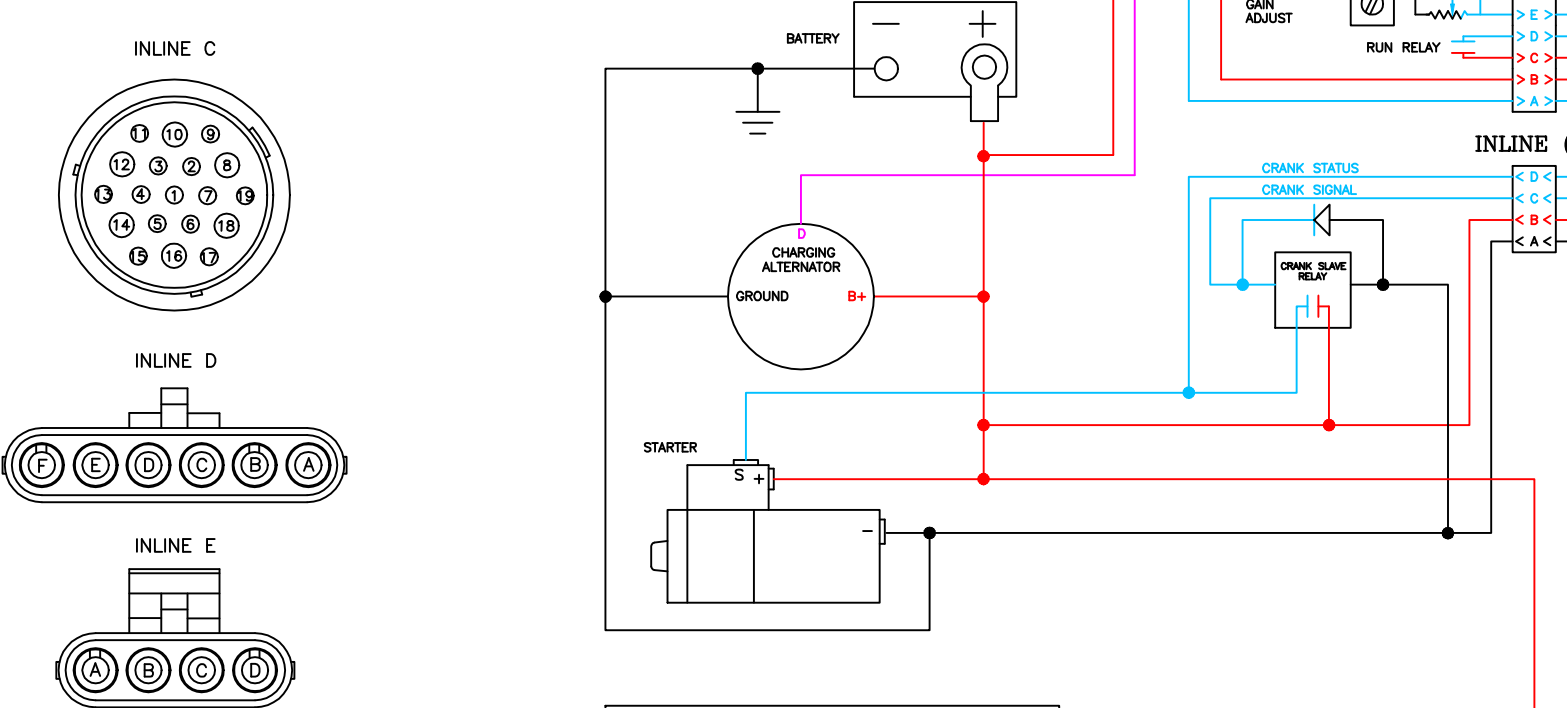
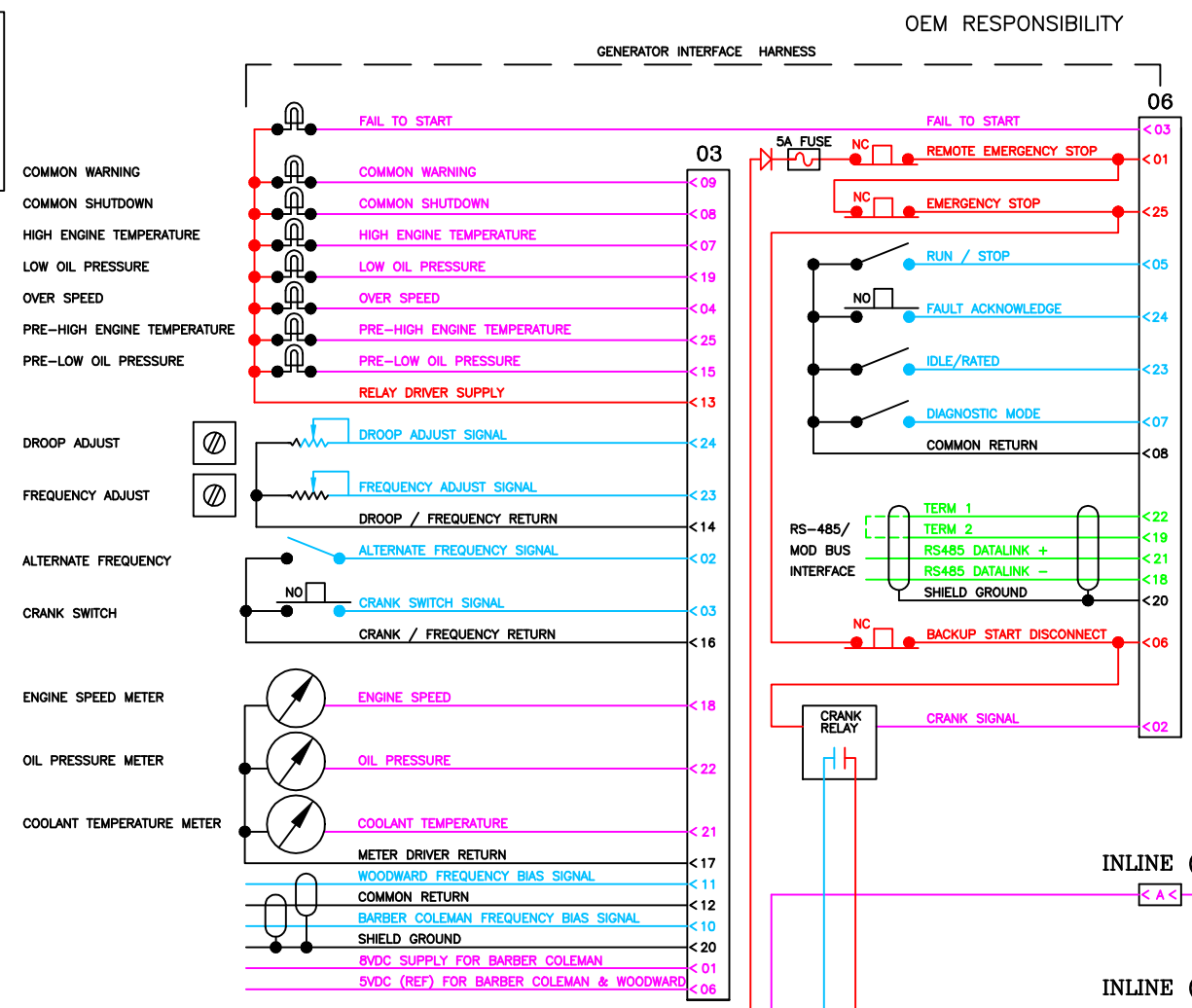
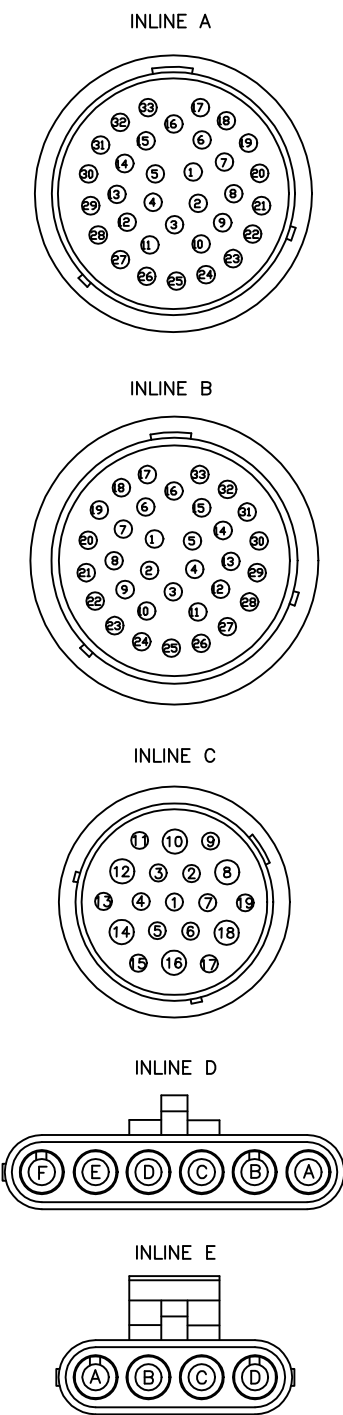
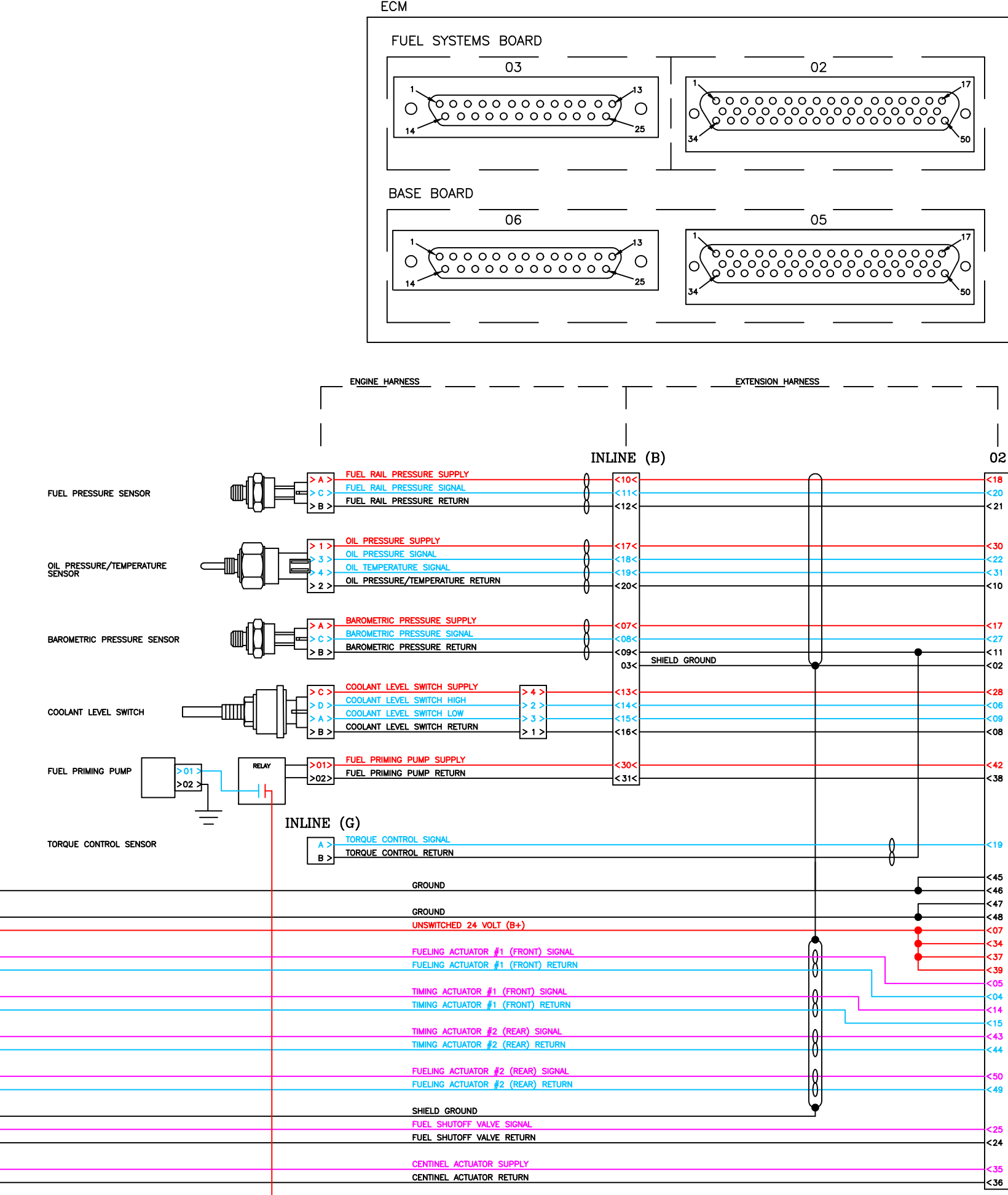
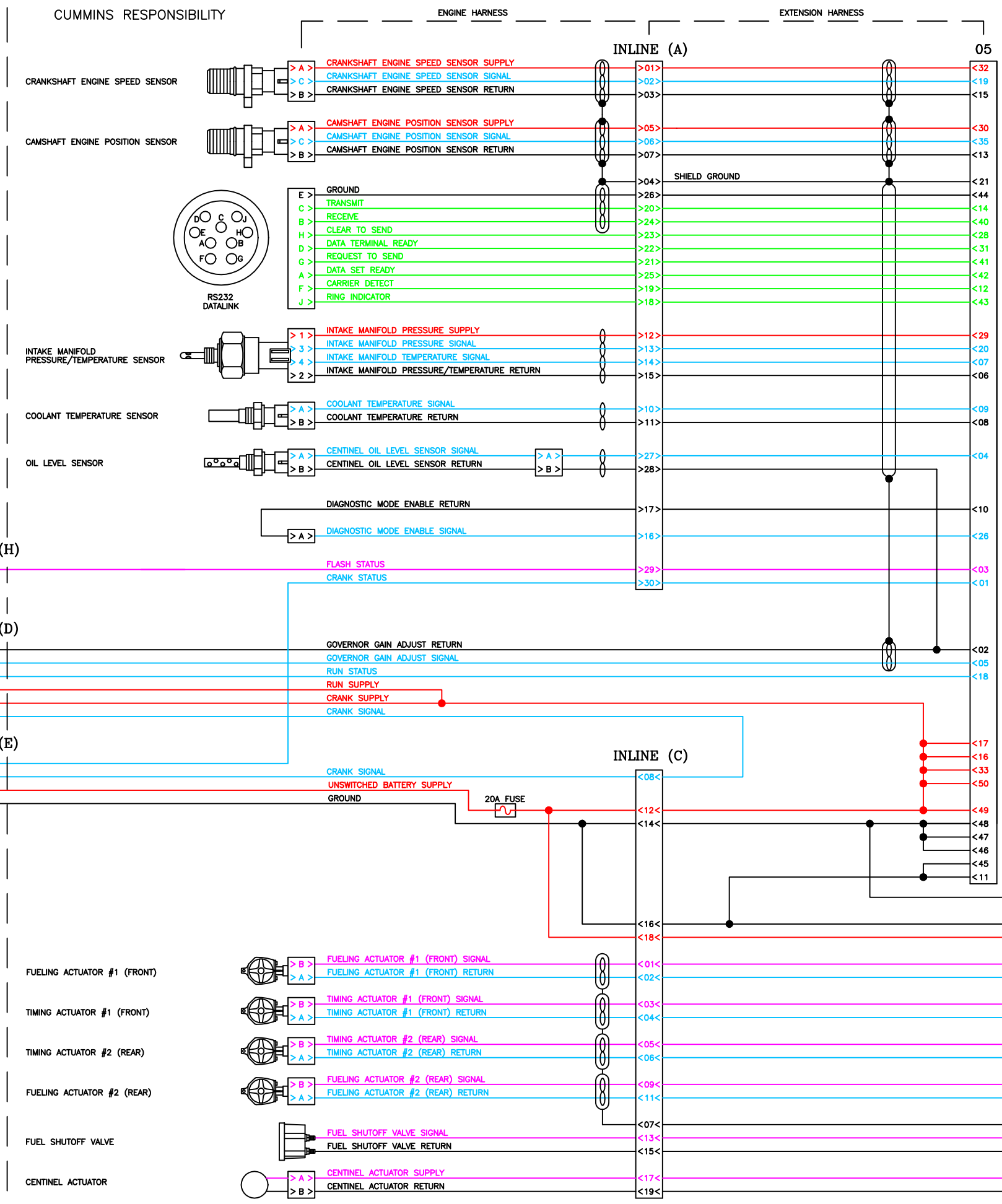


RED DC VOLTAGE
BLUE INPUT SIGNALS
BLACK GROUNDS, SHIELDS AND RETURNS
PURPLE OUTPUT SIGNALS
GREEN DATA LINKS

REPRESENTS FEMALE PIN 
 REPRESENTS MALE PIN 



NOTE: SOME OF THE CIRCUITS SHOWN HERE WILL NOT BE ACTIVE IN ALL APPLICATIONS. CONSULT THE EQUIPMENT MANUFACTURER'S LITERATURE TO DETERMINE WHICH CIRCUITS ARE USED.



QSX15 Generator-Drive Control System Wiring Diagram

Bulletin No. 4021348 (for Engine Harness Part No. 3102655 and Extension Harness Part No. 3681716)

OEM RESPONSIBILITY

CUMMINS RESPONSIBILITY

ENGINE HARNESS

EXTENSION HARNESS

EXTENSION HARNESS

